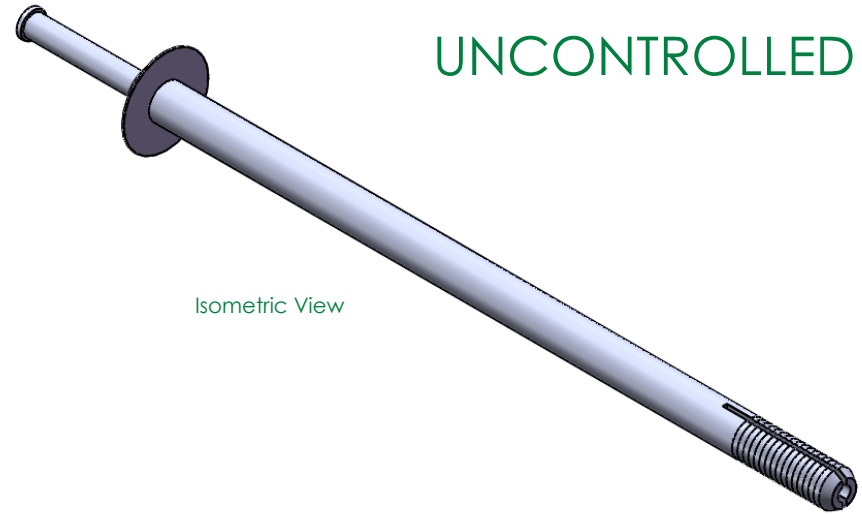


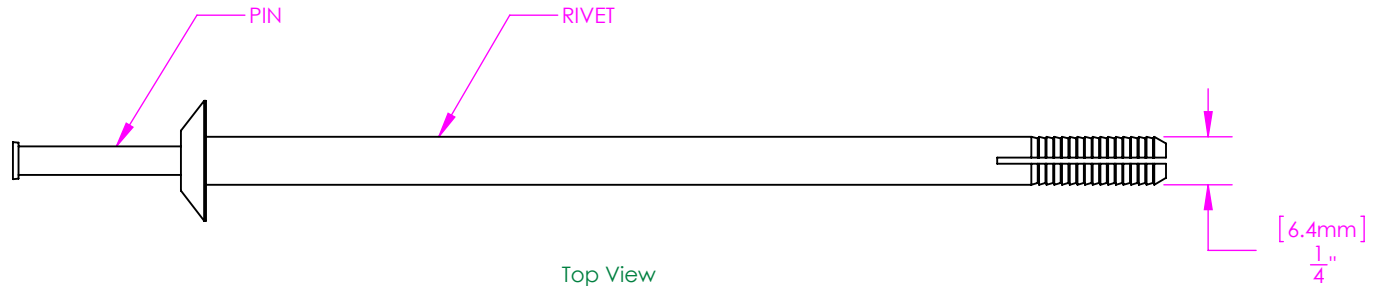
DATE	DRAWN	CHKD	SHEET	SCALE	DRAWING NUMBER
04-26-77	SJM	-	A	1:1	H-30-20-543-29

NOTE - MATERIAL AND FINISH
 RIVET - NYLON, WHITE
 PIN - THERMOPLASTIC, NATURAL
 GRIP RANGE: 4-5/16" TO 4-7/8"

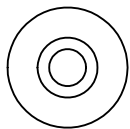
UNCONTROLLED



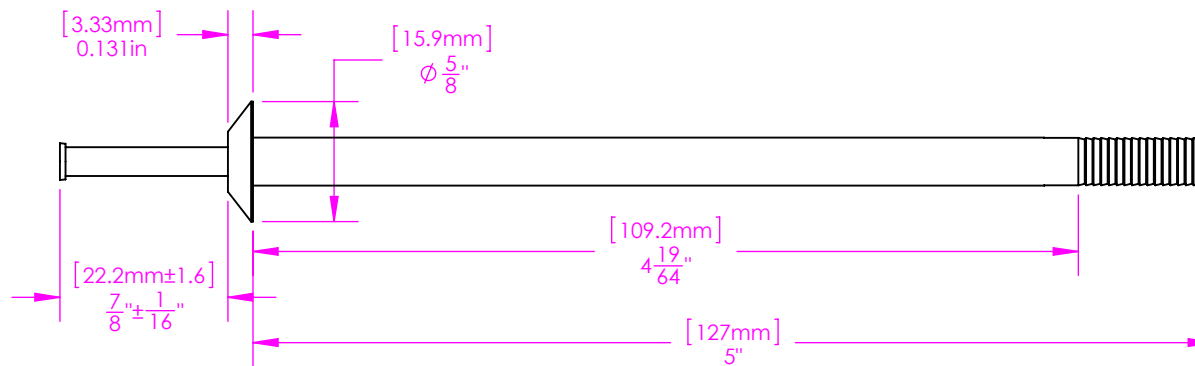
Isometric View



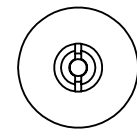
Top View



Left View



Front View



Right View