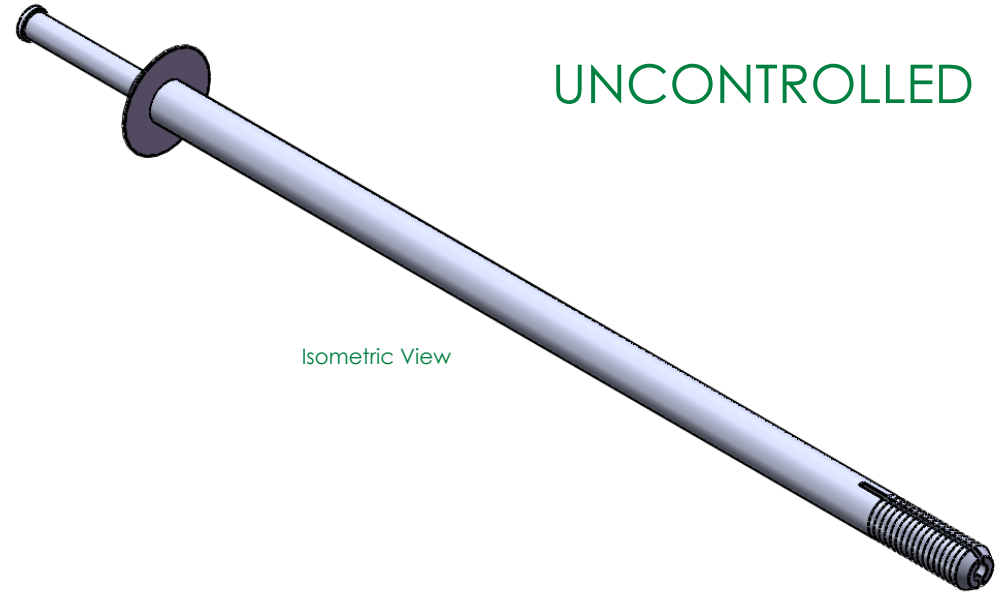


DATE	DRAWN	CHKD	SHEET	SCALE	DRAWING NUMBER
-	-	-	A	1:1	H-30-20-544-30

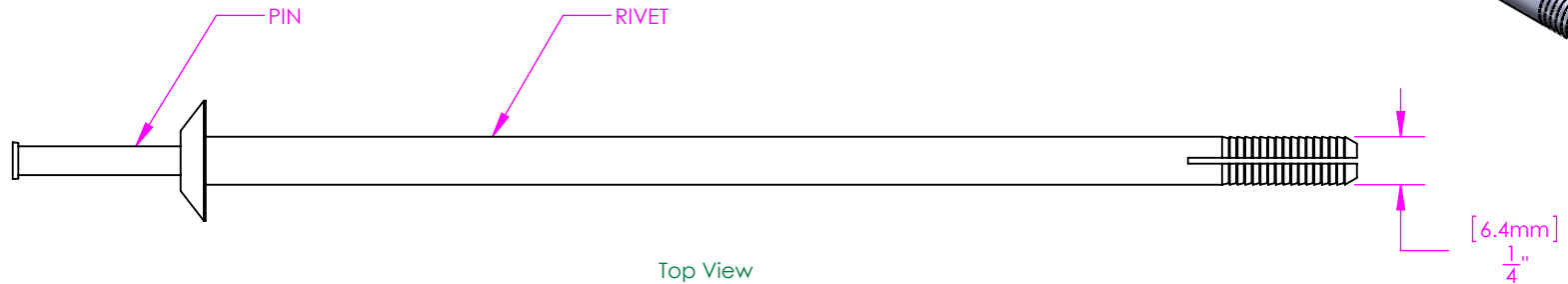
NOTE - MATERIAL AND FINISH
 RIVET - NYLON, WHITE
 PIN - THERMOPLASTIC, NATURAL

GRIP RANGE: 5-5/16" TO 5-7/8"

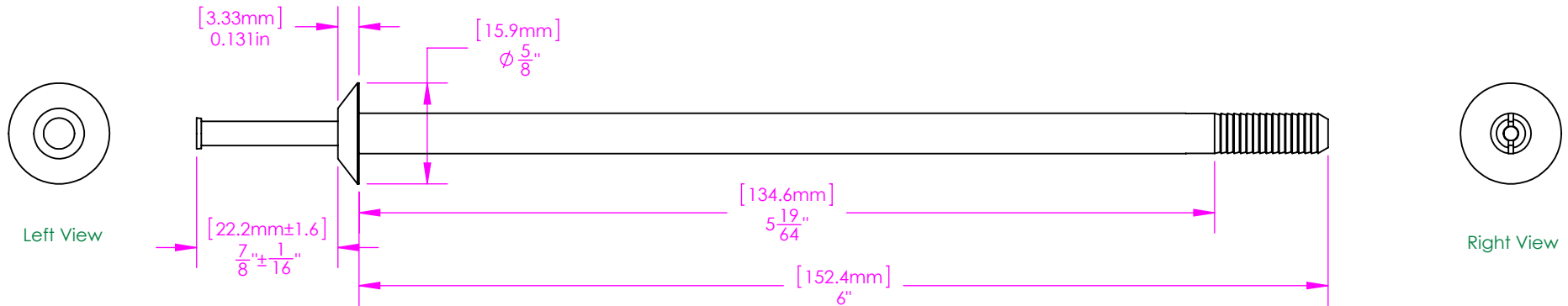
UNCONTROLLED



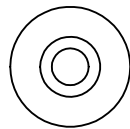
Isometric View



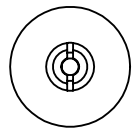
Top View



Front View



Left View



Right View